



XT

Pump Models

- XT100MDSS – 316 Stainless Steel
- XT150MDSS – 316 Stainless Steel
- XT200MDSS – 316 Stainless Steel

Features

- Leak-proof, magnetic drive
- Eliminates seals to reduce friction wear
- High temperature capacity
- Threaded pump connections

Applications

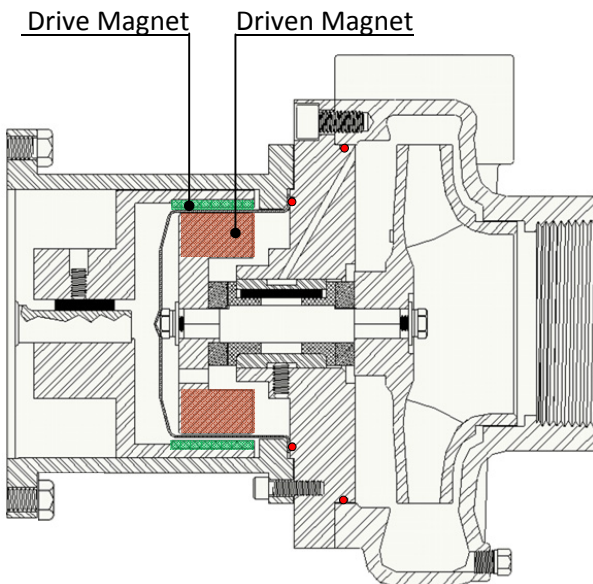
- Toxic or Explosive Fluids
- Aggressive Chemicals
- Biodiesel Production
- Water Treatment
- Galvanic Processes, Surface Treatments
- Scrubber Applications
- Pharmaceutical Industry
- Vapor Degreasers

Standard Specifications

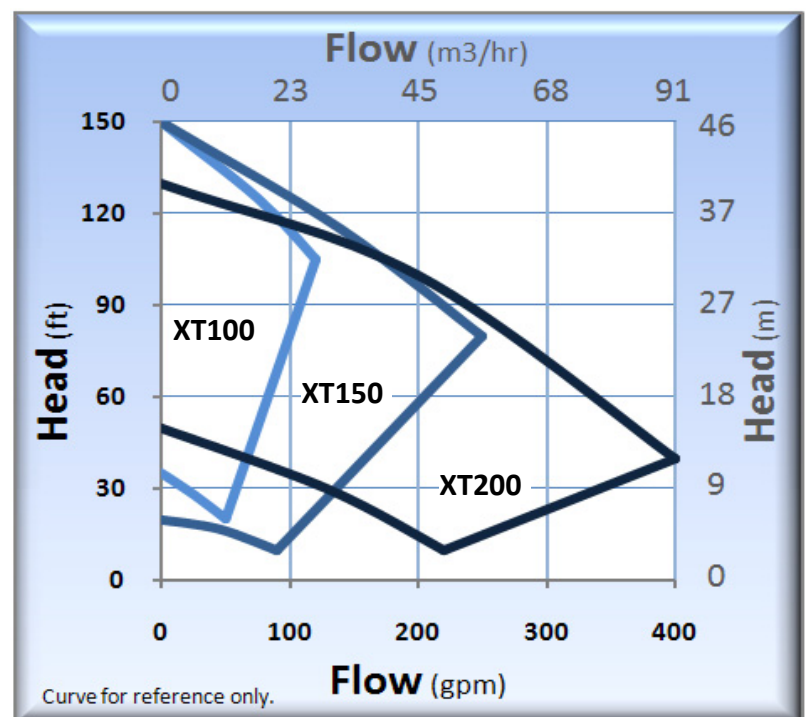
- XT100MD Discharge 1" FNPT, Suction 1-1/2" FNPT
- XT150MD Discharge 1-1/2" FNPT, Suction 2" FNPT
- XT200MD Discharge 2" FNPT, Suction 3" FNPT
- Maximum Impeller Diameter: 5.98"
- Impeller Material: 316SS
- Motor: NEMA C Face
- O-rings: Viton
- Bushings: Carbon Graphite
- Thrust Washers: Ceramic
- Magnets: Samarium Cobalt

Note: Contact factory for additional options

Cross Section - Magnets



Performance Curve – 60 Hz



XT (MAG DRIVE)

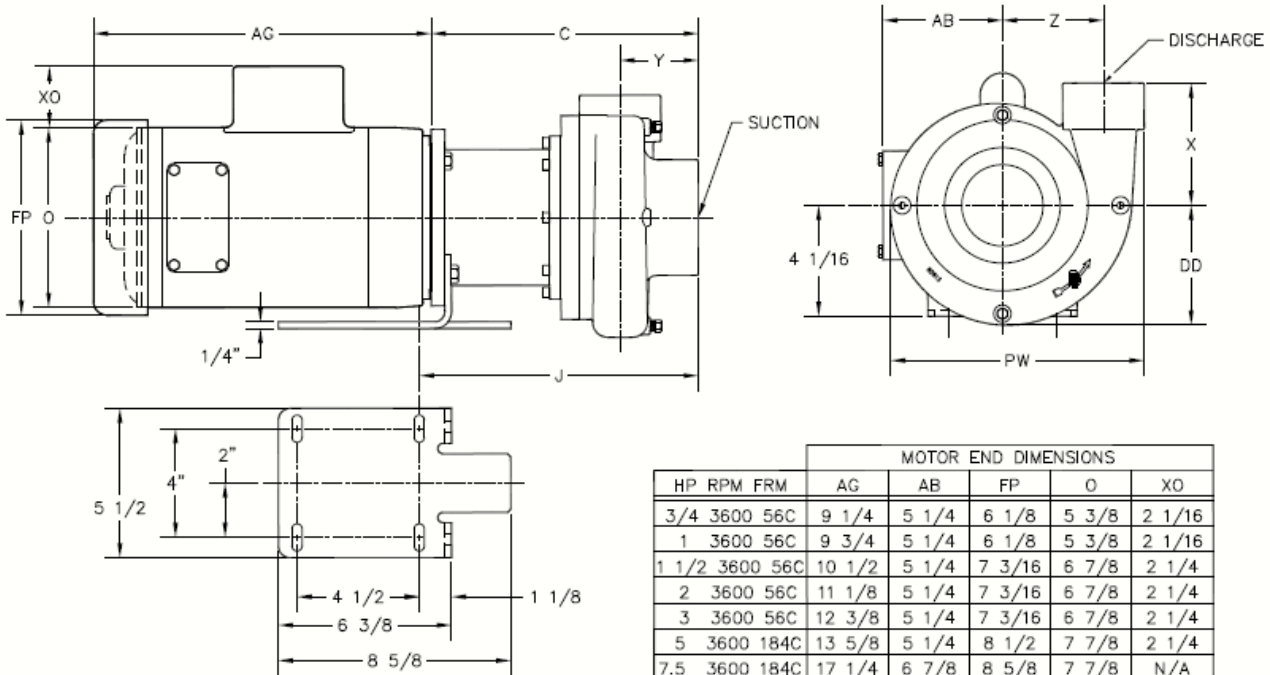
Technical Information	
Max Flow (XT100MD)	120 GPM (27 m3/hr)
Max Flow (XT150MD)	250 GPM (57 m3/hr)
Max Flow (XT200MD)	400 GPM (91 m3/hr)
Max Head	150 feet (46 m)
Min. Flow (XT100MD)	10 GPM (2.3 m3/hr)
Min. Flow (XT150MD)	35 GPM (7.9 m3/hr)
Min. Flow (XT200MD)	50 GPM (11 m3/hr)
Max Working Pressure	300 PSI (21 bar)
Max Temp.	350°F (177°C)*

* Temperature limits will vary depending on O-ring material and type of liquid being pumped.

Materials of Construction	
XTMD	SS
Volute	316 Stainless Steel
Impeller	316 Stainless Steel
Bracket	316 Stainless Steel
Fasteners	316 Stainless Steel
O-ring	Viton (STD), Teflon, Buna, EPR, Neoprene, Kalrez, & Fluoro-Silicon
Shaft	316 Stainless Steel (STD), Tungsten Carbide Coated
Bushings	Carbon (STD), Silicon Carbide
Thrust Washers	Ceramic (STD), Silicon Carbide
Magnet Cup	316 Stainless Steel
Magnets	Samarium Cobalt

Dimensions (XT Mag-Drive)

	PUMP END DIMENSIONS								
	C	DD	PW	J	X	Y	Z	SUCTION	DISCHG
XT100	9 1/8"	4"	8 3/8"	9 5/8"	4"	2 3/8"	3 1/2"	1-1/2"	1"
XT150	10 1/8"	4 1/8"	8 3/4"	10 5/8"	4 1/4"	3 1/4"	3 5/8"	2"	1-1/2"
XT200	9 7/8"	4 7/16"	9 5/16"	9 3/8"	4 1/2"	2 7/8"	3 3/4"	3"	2"



HP	RPM	FRM	MOTOR END DIMENSIONS				
			AG	AB	FP	O	XO
3/4	3600	56C	9 1/4"	5 1/4"	6 1/8"	5 3/8"	2 1/16"
1	3600	56C	9 3/4"	5 1/4"	6 1/8"	5 3/8"	2 1/16"
1 1/2	3600	56C	10 1/2"	5 1/4"	7 3/16"	6 7/8"	2 1/4"
2	3600	56C	11 1/8"	5 1/4"	7 3/16"	6 7/8"	2 1/4"
3	3600	56C	12 3/8"	5 1/4"	7 3/16"	6 7/8"	2 1/4"
5	3600	184C	13 5/8"	5 1/4"	8 1/2"	7 7/8"	2 1/4"
7.5	3600	184C	17 1/4"	6 7/8"	8 5/8"	7 7/8"	N/A
10	3600	184C	16 1/2"	8"	10 1/4"	9 5/8"	N/A
15	3600	184C	19 7/8"	7 1/2"	10 3/8"	9 1/2"	N/A

- NOTES:
- MOTOR DIMENSIONS WILL VARY BY MODEL AND MAKE, DIMENSIONS ARE TO BE USED FOR REFERENCE ONLY.
 - DIMENSION "XO" APPLIES TO SINGLE PHASE MOTORS ONLY.
 - ALL DIMENSIONS ARE ROUNDED TO THE NEAREST 1/8 INCH.

Note: Motors 5 HP and above require VFD or soft starter.

PRICE PUMP CO.

Contact factory for special pump configurations,
same day, and next day delivery options.

21775 Eighth Street East
Sonoma, CA 95476-0329
MAIN (707) 938-8441
TOLL FREE (800) 345-7867
FAX (707) 938-0764
E-mail: sales@pricepump.com
Website: www.pricepump.com

Member of:
Hydraulic INSTITUTE



Rev. Date: May 2009